



McGowan Fence & Supply Limited

811 Progress Avenue
Scarborough, Ontario M1H 2X4
Tel (416)431-5556 Fax (416)431-2595

2011 CATALOGUE **Residential Products and Price List**

QUALITY
and
Service

Since 1948

TERMS AND CONDITIONS

ALL PRICES, EXCEPT THOSE LISTED AS NET, ARE SUBJECT TO YOUR DEALER DISCOUNT. (TO CONFIRM DISCOUNT LEVEL, PLEASE PHONE)

ALL PRICES ARE C.O.D. UNLESS PRIOR CREDIT ARRANGEMENTS HAVE BEEN ESTABLISHED. PAYMENT BY CASH, APPROVED CHEQUE, DEBIT CARD, VISA, OR MASTER CARD.

ALL PRICES ARE F.O.B. OUR YARD, 811 PROGRESS AVE. SCARBOROUGH, ONTARIO M1H 2X4. DELIVERIES TO BE ARRANGED.

THE H.S.T. SALES TAX (IF APPLICABLE) IS EXTRA TO ALL CATALOGUE PRICES.

PRICES AND SPECIFICATIONS SUBJECT TO CHANGE WITHOUT NOTICE.

Illustrations reprinted with permission of Metro Fence & Fittings Ltd.

Copyright 2011 McGowan Fence & Supply Limited

Table of Contents – Residential Catalogue

Residential Fence Kits - 10' Centers	R-1	Residential Chain Link Fence Fittings.....	R-9
Residential Fence Kits - 8' Centers	R-2	Tension Bands.....	R-9
End Post Kits.....	R-3	Brace Bands	R-9
Corner Post Kits	R-3	Rail Ends.....	R-9
Gates.....	R-3	Post Caps.....	R-9
Residential Double Gates.....	R-4	Tension Bars	R-9
Gate Frames	R-4	Line Post Caps	R-9
Residential Galvalume Tubing.....	R-4	Tie Wires.....	R-10
Coloured Residential Tubing - Posts and Rail	R-5	Bolts and Nuts.....	R-10
Coloured Fittings.....	R-5	Bottom Wire	R-10
Coloured Gates.....	R-6	Bottom Wire Clips	R-10
Coloured Gate Frames.....	R-6	Galvanized Gate Clips	R-10
Coloured Gate Hardware.....	R-6	Residential Chain Link Gate Hardware	R-11
Chain Link Fabrics per Foot	R-7	Post Collars	R-11
Galvanized	R-7	Spring Closures	R-11
Vinyl Coated	R-7	Frame Collars.....	R-11
Chain Link Fabrics per Roll.....	R-8	Hinge Bolts	R-11
Galvanized	R-8	Finger Latches.....	R-11
Vinyl Coated	R-8	Latch Catches.....	R-11
		Cane Bolts.....	R-11

Residential Fence Kits – 10 Foot Centers - Per Foot Price

All per foot prices of our fence kits include the following:

Line posts spaced every 10 ft. with linepost caps, top rail in 10 ft. sections (swedged), chain link fabric, bottom wire and tie wires.

Height and Mesh Size	Galvanized Frame		Coloured Frame
	Galv. Fabric	Vinyl Fabric	Vinyl Fabric
2" Mesh - 9ga. 36" High 42" High 48" High 60" High 72" High		3.65 3.95 4.25 4.96 5.94	4.41 4.72 5.02 5.76 6.77
1½" Mesh - 11ga. 36" High 42" High 48" High 60" High 72" High		On Request On Request 4.37 5.11 6.13	On Request On Request 5.14 5.92 6.95
1½" Mesh - 9ga. 36" High 42" High 48" High 60" High 72" High		On Request On Request 5.26 6.22 7.46	On Request On Request 6.03 7.02 8.29
2¼" Mesh - 11ga. 48" High 60" High 72" High	4.34 5.06 6.07		

Vinyl frame and fabric available in green, white, black or brown.

Residential Fence Kits – 8 Foot Centers - Per Foot Price

All per foot prices of our fence kits include the following:

Line posts spaced every 8 ft. with linepost caps, top rail in 10 ft. sections (swedged), chain link fabric, bottom wire and tie wires.

Note: Residential fencing with 8 ft. centers may be required for pool enclosures in your area. Check your municipal bylaws for the exact legal requirements.

Height and Mesh Size	Galvanized Frame		Coloured Frame
	Galv. Fabric	Vinyl Fabric	Vinyl Fabric
2" Mesh - 9ga. 36" High 42" High 48" High 60" High 72" High		3.85 4.16 4.46 5.19 6.27	4.70 5.00 5.31 6.09 7.20
1½" Mesh - 11ga. 36" High 42" High 48" High 60" High 72" High		On Request On Request 4.58 5.34 6.45	On Request On Request 5.43 6.24 7.38
1½" Mesh - 9ga. 36" High 42" High 48" High 60" High 72" High		On Request On Request 5.47 6.45 7.78	On Request On Request 6.31 7.35 8.71
2¼" Mesh - 11ga. 48" High 60" High 72" High	4.54 5.29 6.39		

Vinyl frame and fabric available in green, white, black or brown.

Residential Fence Kits - End or Corner Posts; Gates

Residential End Post Kits

All end post kits include 1 post, 1 $\frac{1}{8}$ " O.D. (2 $\frac{3}{8}$ " O.D. for 6 ft. fence). Length to suit fence height, complete with post cap, rail end and brace band, tension bands, tension bar and bolts and nuts.

Fence Height	Galvanized	Coloured
36", 42" or 48" High Fence	16.46	23.92
60" High Fence	19.12	27.82
72" High Fence	25.63	34.96

Residential Corner Post Kits

All corner posts include 1 post, as above, but 2 complete sets of fittings.

Fence Height	Galvanized	Coloured
36", 42" or 48" High Fence	23.55	35.30
60" High Fence	27.61	41.43
72" High Fence	36.22	50.72

Residential Gates

Unit prices are for 2 pc. gate frame 1 $\frac{1}{4}$ " O.D. tubing complete with all necessary latching and hinging hardware for 1 $\frac{1}{8}$ " O.D. post.

1 $\frac{1}{8}$ " spring closures are extra @ \$22.71 ea.

Upgrade to 2 $\frac{3}{8}$ " O.D. hardware extra @ \$3.32 per set (includes 2 $\frac{3}{8}$ " post collars and latch catch)

Gate Height	3 Ft. Wide	3 $\frac{1}{2}$ Ft. Wide	4 Ft. Wide	5 Ft. Wide	6 Ft. Wide
36" High	85.24	89.03	90.99		
42" High	85.24	89.03	90.99		
48" High	85.24	89.03	90.99	102.21	110.03
60" High	93.13	94.18	101.88	108.09	
72" High	99.85	101.21	106.14		

Residential Double Gates

2 pc. Frame 1¼" O.D. Tubing, complete with all necessary latching and hinging hardware.

	Width				
	6'	7'	8'	10'	12'
Height	1- 7/8" Fittings			2-3/8" Fittings	
36"	188.89	196.47	200.39		
42"	188.89	196.47	200.39		
48"	188.89	196.47	200.39	225.38	241.01
60"	204.66	206.77	222.16	237.14	
72"	218.10	220.84	230.69		

Residential Gate Frames

Unit prices are for 2 pc. gate frame 1¼" O.D. galvalume tubing.

Gate Height	3 Ft. Wide	3½ Ft. Wide	4 Ft. Wide	5 Ft. Wide
36" High	23.28	24.49	24.49	
42" High	23.28	24.49	24.49	
48" High	23.28	24.49	24.49	30.90
60" High	24.09	25.22	28.10	34.32
72" High	28.10	30.49	30.52	

Residential Galvalume Tubing - Posts, Top Rail and Gate Extensions - Price Each

Size	Description	Gauge	Length	#/Bdle	Loose	Bundle Lot
1-¼"	Toprail	17 ga.	10'4"	91	9.49	8.62
1-½"	Line Post	17 ga.	6'6"	61	7.00	6.37
1-½"	Line Post	17 ga.	7'6"	61	8.10	7.36
1-⅞"	Main Post	17 ga.	6'6"	61	8.85	8.05
1-⅞"	Main Post	17 ga.	7'6"	61	10.23	9.30
1-⅞"	Main Post	17 ga.	8'6"	61	11.58	10.53
2-⅜"	Main Post	17 ga.	8'6"	37	14.68	13.34
1-¼"	Gate Extensions - Double Swedged	17 ga.	66"	-	5.86	-

Coloured Residential Tubing – Posts, Top Rail and Gate Extensions

Available in Green, White, Black, Brown

Size	Description	Gauge	Length	Price Each
1-¼"	Toprail	17 ga.	10'3"	14.26
1-½"	Line Post	17 ga.	6'6"	10.03
1-½"	Line Post	17 ga.	7'6"	11.58
1-⅞"	Main Post	17 ga.	6'6"	11.86
1-⅞"	Main Post	17 ga.	7'6"	13.71
1-⅞"	Main Post	17 ga.	8'6"	15.52
2-⅜"	Main Post	17 ga.	8'6"	18.81
1-¼"	Gate Extensions - Double Swedged	17 ga.	66"	8.91

Coloured Residential Fittings

Description	Size	Price Each
Line Post Caps	1-½"	1.70
	1-⅞"	2.16
Main Post Caps	1-⅞"	1.75
	2-⅜"	2.09
Tension Bands w/bolt and nut	1-⅞"	1.05
	2-⅜"	1.21
Brace Bands w/bolt and nut	1-⅞"	1.05
	2-⅜"	1.21
Rail Ends	1-¼"	1.47
Tension Bars	36"	3.63
	42"	4.23
	48"	4.84
	60"	6.05
	72"	7.26
Tie Wires	11 ga.	.08
	9 ga.	.10
Bottom Wire	9 ga.	.15/ft.

Coloured Residential Gates – Includes fill and fittings for 1-7/8" posts

Size	Price Each
3-1/2' x 48"	99.87
3-1/2' x 60"	106.32
3-1/2' x 72"	115.00

Coloured Residential Gate Frames

Size	Price Each
4' x 48" high	26.88
4' x 60" high	29.27
4' x 72" high	32.64

Coloured Residential Gate Hardware

Description	Price Each
Post collars – 1-7/8"	5.94
Post collars – 2-3/8"	6.95
Frame collars – 1-1/4"	3.89
Finger latches – 1-1/4"	11.40
Latch catches – 1-1/4"	8.29
Latch catches – 1-7/8"	6.93
Latch catches – 2-3/8"	8.95
Wall latch w/sleeve anchors	15.01
Spring closures – 1-7/8" x 1-1/4"	28.37
Spring closures – 2-3/8" x 1-1/4"	33.61
Cane Bolt – 1/2" x 24" w/frame collars	17.32
Gate clips – 1-1/4"	.75

Chain Link Fabrics – per foot price, weights per 100 feet

Galvanized

Fence Height	2"- 6ga.	Wgt.	2"- 9ga.	Wgt.	2 ¼"- 11ga.	Wgt.	1½"- 9ga.	Wgt.
3'			2.75	183				
3-½'			3.21	214				
4'	8.45	474	3.66	244	2.75	150	6.48	364
5'	10.56	592	4.58	305	3.44	186	8.10	454
6'	12.68	710	5.50	366	4.13	226	9.72	544
7'	14.79	828	6.41	427			11.35	636
8'	16.90	946	7.33	488			12.97	726
10'	21.13	1182	9.16	610			16.21	908
12'	25.35	1418	10.99	732			19.45	1090

Vinyl Coated – green, white, black, brown

Fence Height	2"- 6ga.	Wgt.	2"- 9ga.	Wgt.	2"- 11ga.	Wgt.	1½"- 9ga.	Wgt.	1½"- 11ga.	Wgt.
3'			2.00	106	Not	68				100
3-½'			2.33	126	A	86				116
4'	5.50	286	2.66	144	Stock	98	3.77	210	2.79	132
5'	6.87	384	3.33	176	Item	124	4.71	264	3.49	166
6'	8.25	440	3.99	214		142	5.65	320	4.19	200
7'	9.62	536	4.66	252			6.60	374		
8'	11.00	592	5.32	314			7.54	420	1¾"- 9ga.	
10'	13.75	782	6.65	392			9.42	528	9.20	464
12'	16.50	938	7.98	470			11.31	640	11.04	560

Chain Link Fabrics – prices per 50 foot roll

**Aluminum Fabric
 - prices available on request-**

Galvanized

Fence Height	2"- 6ga.	2"- 9ga.	2 ¼"- 11ga.	1-½"- 9ga.
3'		124.92		
3-½'		145.74		
4'	384.10	166.56	125.09	294.69
5'	480.12	208.20	156.36	368.36
6'	576.14	249.84	187.63	442.03
7'	672.17	291.48		515.70
8'	768.19	333.12		589.38
10'	960.24	416.40		736.72
12'	1,152.29	499.68		884.06

Vinyl Coated – green, white, black, brown

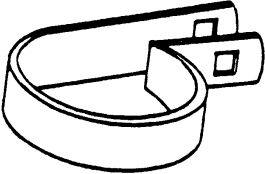
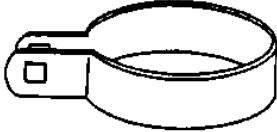
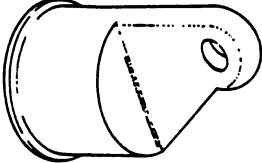
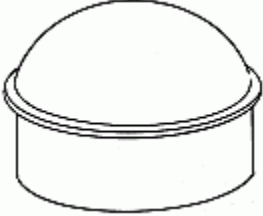
Fence Height	2"- 6ga.	2"- 9ga.	2"- 11ga.	1-½"- 9ga.	1-½"- 11ga.
3'		90.72			
3-½'		105.84			
4'	249.48	120.96		171.36	127.01
5'	312.48	151.20		214.20	158.76
6'	374.98	181.44		257.04	190.51
7'	437.47	211.68			
8'	499.97	241.92		342.72	1 ¾" - 9 ga.
10'	624.96	302.40		428.40	418.32
12'	749.95	362.88		514.08	501.98

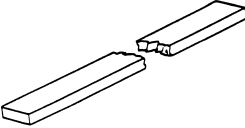
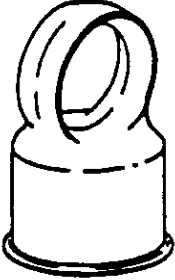
Wire Selvage



Knuckle Top

Residential Chain Link Fence Fittings


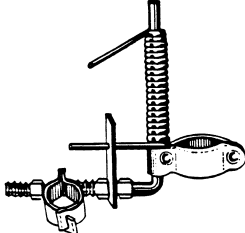
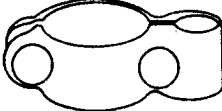
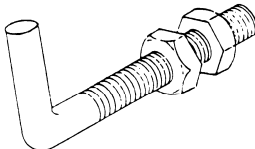
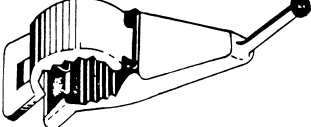
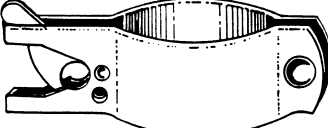
Tension Bands (with bolt and nut)	Size	Price each	Brace Bands (with bolt and nut)	Size	Price each
		1 ⁷ / ₈ "		.56	
	2 ³ / ₈ "	.76		2 ³ / ₈ "	.76
Rail Ends	Size	Price each	Post Caps	Size	Price each
	1 ¹ / ₄ "	.93		1 ⁷ / ₈ "	1.33
				2 ³ / ₈ "	1.70

Tension Bars	Size	Price each	Line Post Caps	Size	Price each
		1/2" Steel			1-1/2"
	36"	2.65		1-7/8" x 1-5/16"	1.71
	42"	3.10			
	48"	3.54			
	60"	4.42			
	72"	5.31			

Residential Chain Link Fence Fittings (cont'd)

Description	Size	Quantity	Price each
Tie Wires	11ga. x 6 ½" aluminum	Each	.09
		Per 100	8.68
	11ga. x 6 ½" vinyl	Each	.08
		Per 100	7.83
Bolts and Nuts	5/16" x 1 ¼"	Each	.20
		Per 100	19.18
Bottom Wire	9ga. galvanized	Per foot	.12
		Per 50lb. coil	115.82
	9ga. vinyl	Per foot	.15
		Per 50lb. coil	143.06
Bottom Wire Clips		Per box of 1000	62.34
Galvanized Gate Clips		Each	.35

Residential Chain Link Gate Hardware

Residential Post Collars	Size	Price each
	Pressed Steel	
	1 $\frac{7}{8}$ " x 1 $\frac{1}{2}$ " w/ bolt	4.09
	2 $\frac{3}{8}$ " x 1 $\frac{1}{2}$ " w/ bolt	4.73
Residential Spring Closures 		
	1 $\frac{7}{8}$ "	22.71
	2 $\frac{3}{8}$ "	29.68
Residential Frame Collars 		
	1 $\frac{1}{4}$ "	2.00
Residential Hinge Bolts 		
	1 $\frac{1}{2}$ " x 3" w/nuts	2.60
	1 $\frac{1}{2}$ " x 3" lag	2.40
	1 $\frac{1}{2}$ " x 7" w/nuts	4.01
Residential Finger Latches 		
	1 $\frac{1}{4}$ "	10.42
Residential Latch Catches 		
	1 $\frac{1}{4}$ "	7.06
	1 $\frac{7}{8}$ "	5.67
	2 $\frac{3}{8}$ "	7.72
Wall Latch	w/sleeve anchors	14.06
Residential Cane Bolts	1 $\frac{1}{2}$ " x 24" w/brackets	17.02