



# **McGowan Fence & Supply Limited**

811 Progress Avenue  
Scarborough, Ontario M1H 2X4  
Tel (416)431-5556 Fax (416)431-2595

## **2011 CATALOGUE** **Industrial Products and Price List**

**QUALITY**  
**and**  
*Service*

**Since 1948**

## **TERMS AND CONDITIONS**

ALL PRICES, EXCEPT THOSE LISTED AS NET, ARE SUBJECT TO YOUR DEALER DISCOUNT. (TO CONFIRM DISCOUNT LEVEL, PLEASE PHONE)

ALL PRICES ARE C.O.D. UNLESS PRIOR CREDIT ARRANGEMENTS HAVE BEEN ESTABLISHED. PAYMENT BY CASH, APPROVED CHEQUE, DEBIT CARD, VISA, OR MASTER CARD.

ALL PRICES ARE F.O.B. OUR YARD, 811 PROGRESS AVE. SCARBOROUGH, ONTARIO M1H 2X4. DELIVERIES TO BE ARRANGED.

THE H.S.T. SALES TAX (IF APPLICABLE) IS EXTRA TO ALL CATALOGUE PRICES.

**PRICES AND SPECIFICATIONS SUBJECT TO CHANGE WITHOUT NOTICE.**

Illustrations reprinted with permission of Metro Fence & Fittings Ltd.

Copyright 2011 McGowan Fence & Supply Limited

## Table of Contents – Industrial Catalogue

Industrial Fence Kits - Spec #2 .....	I-1	Industrial Chain Link Fence Fittings .....	I-7
End Posts .....	I-1	Tension Bands .....	I-7
Corner Posts .....	I-1	Brace Bands .....	I-7
Industrial Fence Kits - Spec #3 .....	I-2	Rail Ends .....	I-7
End Posts .....	I-2	Post Caps .....	I-7
Corner Posts .....	I-2	Line Post Caps .....	I-7
Chain Link Fabrics per Foot .....	I-3	Tension Bars .....	I-8
Galvanized .....	I-3	Gate Caps .....	I-8
Vinyl Coated .....	I-3	Sleeves .....	I-8
Chain Link Fabrics per Roll .....	I-4	Two-Way Sockets .....	I-8
Galvanized .....	I-4	Tie Wires .....	I-9
Vinyl Coated .....	I-4	Bolts and Nuts .....	I-9
Galvanized Pipe .....	I-5	Bottom Wire .....	I-9
Schedule 40 .....	I-5	Bottom Wire Clips .....	I-9
Light Wall .....	I-5	Eye Bolts and Brackets .....	I-9
Industrial Chain Link Swing Gates .....	I-6	Turnbuckles .....	I-9
		Sleeve Anchors .....	I-9
		Overhang Barbed Wire Arms .....	I-10
		Vertical Barbed Wire Arms .....	I-10
		Corner Barbed Wire Arms .....	I-10
		Industrial Chain Link Gate Hardware .....	I-11
		Post Collars .....	I-11
		Spring Closures .....	I-11
		Frame Collars .....	I-11
		Hinge Bolts .....	I-11
		Latch Catches .....	I-12
		Drop Latches .....	I-12
		Wall Latch .....	I-12
		Gate Chain Hold Opens .....	I-12
		Cane Bolts .....	I-12
		Centre Rests .....	I-12
		Galvanized Chain .....	I-12

## Industrial Fence Kits – Spec #2

Includes 2- $\frac{3}{8}$ " O.D. lineposts and caps or barbarmms (10' O.C.), 1- $\frac{11}{16}$ " O.D. top rail with sleeves, 2" x 9ga. galvanized chain link fabric (1.2 oz.), 9 ga. bottom wire and 9 ga. aluminum ties.

Fence Height	.100 Wall		Schedule 40	
	FFH	+Barb	FFH	+Barb
48"	7.51		9.06	
60"	8.60		10.28	
72"	9.70	10.40	11.50	12.21
96"	11.88	12.58	13.95	14.65
120"	14.06	14.76	16.39	17.09

**End Posts** – includes 3- $\frac{1}{2}$ " O.D. post with cap, 1 tension bar, tension bands, brace band and rail end.

Fence Height	.125 Wall		Schedule 40	
	FFH	+Barb	FFH	+Barb
48"	50.98		76.85	
60"	57.78		87.10	
72"	63.75	73.32	96.52	109.54
96"	77.37	86.93	117.04	130.05
120"	91.81	101.38	138.38	151.40

**Corner Posts** – includes 3- $\frac{1}{2}$ " O.D. post with cap, 2 tension bar, tension bands, brace bands and rail ends.

Fence Height	.125 Wall		Schedule 40	
	FFH	+Barb	FFH	+Barb
48"	61.33		87.20	
60"	69.90		99.23	
72"	76.80	90.89	109.57	127.12
96"	93.95	108.04	133.62	151.16
120"	112.77	126.86	159.34	176.88

Extra Terminal Post Braces @ 24.34 for .100 wall or 31.06 or Schedule 40.

### Industrial Fence Kits – Spec #3

Includes 1-7/8" O.D. lineposts and caps or barbarmms (10' O.C.), 1-5/16" O.D. top rail with sleeves, 2" x 9ga. galvanized chain link fabric (1.2 oz.), 9 ga. bottom wire and 9 ga. aluminum ties.

Fence Height	.100 Wall		Schedule 40	
	FFH	+Barb	FFH	+Barb
48"	6.68		7.69	
60"	7.72		8.82	
72"	8.76	9.33	9.94	10.51
96"	10.83	11.40	12.18	12.76
120"	12.90	13.48	14.43	15.00

**End Posts** – includes 2-3/8" O.D. post with cap, 1 tension bar, tension bands, brace band and rail end.

Fence Height	.100 Wall		Schedule 40	
	FFH	+Barb	FFH	+Barb
48"	31.24		41.48	
60"	35.61		47.23	
72"	39.26	44.16	52.24	58.51
96"	48.02	52.91	63.73	69.99
120"	57.49	62.39	75.94	82.20

**Corner Posts** – includes 2-3/8" O.D. post with cap, 2 tension bar, tension bands, brace bands and rail ends.

Fence Height	.100 Wall		Schedule 40	
	FFH	+Barb	FFH	+Barb
48"	40.36		50.61	
60"	46.39		58.00	
72"	50.97	58.04	63.95	72.39
96"	63.03	70.10	78.74	87.18
120"	76.54	83.61	94.99	103.42

Extra Terminal Post Braces @ 23.58 for .100 wall or 30.30 for Schedule 40.

**Chain Link Fabrics** – per foot price, weights per 100 feet

**Galvanized**

Fence Height	2"- 6ga.	Wgt.	2"- 9ga.	Wgt.	2¼" – 11ga.	Wgt.	1½"- 9ga.	Wgt.
3'			2.75	183				
3-½'			3.21	214				
4'	8.45	474	3.66	244	2.75	150	6.48	364
5'	10.56	592	4.58	305	3.44	186	8.10	454
6'	12.68	710	5.50	366	4.13	226	9.72	544
7'	14.79	828	6.41	427			11.35	636
8'	16.90	946	7.33	488			12.97	726
10'	21.13	1182	9.16	610			16.21	908
12'	25.35	1418	10.99	732			19.45	1090

**Vinyl Coated** – green, white, black, brown

Fence Height	2"- 6ga.	Wgt.	2"- 9ga.	Wgt.	2"- 11ga.	Wgt.	1½"- 9ga.	Wgt.	1½"- 11ga.	Wgt.
3'			2.00	106	<b>Not</b>	68				100
3-½'			2.33	126	<b>A</b>	86				116
4'	5.50	286	2.66	144	<b>Stock</b>	98	3.77	210	2.79	132
5'	6.87	384	3.33	176	<b>Item</b>	124	4.71	264	3.49	166
6'	8.25	440	3.99	214		142	5.65	320	4.19	200
7'	9.62	536	4.66	252			6.60	374		
8'	11.00	592	5.32	314			7.54	420	<b>1¾"- 9ga.</b>	
10'	13.75	782	6.65	392			9.42	528	9.20	464
12'	16.50	938	7.98	470			11.31	640	11.04	560

**Chain Link Fabrics** – prices per 50 foot roll

**Aluminum Fabric**  
 - prices available on request-

**Galvanized**

Fence Height	2"- 6ga.	2"- 9ga.	2¼" – 11ga.	1-½"- 9ga.
3'		124.92		
3-½'		145.74		
4'	384.10	166.56	125.09	294.69
5'	480.12	208.20	156.36	368.36
6'	576.14	249.84	187.63	442.03
7'	672.17	291.48		515.70
8'	768.19	333.12		589.38
10'	960.24	416.40		736.72
12'	1,152.29	499.68		884.06

**Vinyl Coated** – green, white, black, brown

Fence Height	2"- 6ga.	2"- 9ga.	2"- 11ga.	1-½"- 9ga.	1-½"- 11ga.
3'		90.72			
3-½'		105.84			
4'	249.48	120.96		171.36	127.01
5'	312.48	151.20		214.20	158.76
6'	374.98	181.44		257.04	190.51
7'	437.47	211.68			
8'	499.97	241.92		342.72	<b>1 ¾" - 9 ga.</b>
10'	624.96	302.40		428.40	418.32
12'	749.95	362.88		514.08	501.98

Wire Selvage



Knuckle Top



Barbed Top

## Galvanized Pipe – plain ends

### Schedule 40

O.D. Size	Wall Thickness	Weight per 100'	Price	
			Per Foot	Per 100'
1- <sup>5</sup> / <sub>16</sub> "	.133	169 lbs.	2.08	189.28
1- <sup>11</sup> / <sub>16</sub> "	.140	227 lbs.	2.80	254.24
1- <sup>7</sup> / <sub>8</sub> "	.145	272 lbs.	3.35	304.64
2- <sup>3</sup> / <sub>8</sub> "	.154	365 lbs.	4.50	408.80
2- <sup>7</sup> / <sub>8</sub> "	.203	579 lbs.	7.13	648.48
3- <sup>1</sup> / <sub>2</sub> "	.216	758 lbs.	9.34	848.96
4- <sup>1</sup> / <sub>2</sub> "	.237	1079 lbs.	13.29	1,208.48
6- <sup>5</sup> / <sub>8</sub> "	.280	1897 lbs.	23.37	2,124.64

### Light Wall

O.D. Size	Wall Thickness	Weight per 100'	Price	
			Per Foot	Per 100'
1- <sup>5</sup> / <sub>16</sub> "	.100	130 lbs.	1.60	145.60
1- <sup>11</sup> / <sub>16</sub> "	.100	167 lbs.	2.06	187.04
1- <sup>7</sup> / <sub>8</sub> "	.100	192 lbs.	2.37	215.04
2- <sup>3</sup> / <sub>8</sub> "	.100	243 lbs.	2.99	272.16
2- <sup>7</sup> / <sub>8</sub> "	.125	367 lbs.	4.52	411.04
3- <sup>1</sup> / <sub>2</sub> "	.125	450 lbs.	5.54	504.00

## Industrial Chain Link Swing Gates

Includes 3-½" O.D. hardware (2 sets of gate hinges), 2" x 9ga. Galvanized fill and 1 11/16" O.D. .100 wall frame.

	Width					
Height	4'	5'	6'	7'	8'	9'
3'	389.04	409.28	470.80	480.33	491.11	501.22
4'	389.04	409.28	470.80	480.33	491.11	501.22
5'	389.04	409.28	470.80	480.33	491.11	501.22
6'	409.28	419.75	480.33	491.11	501.22	511.46
7'	419.75	435.03	491.11	501.24	511.46	521.64
8'	435.03	440.57	501.24	511.47	690.00	672.32
9'	440.57	450.93	511.46	521.73	721.93	703.72
10'	450.93	461.36	521.39	531.35	778.11	746.64
11'	461.36	475.66	531.35	545.68	789.29	806.85
12'	475.66	482.12	547.92	650.28	819.46	857.46
	Width					
Height	10'	11'	12'	13'	14'	15'
3'	511.46	521.64	550.24	630.30	696.32	813.22
4'	511.46	521.64	550.24	630.30	696.32	813.22
5'	511.46	521.64	550.24	630.30	696.32	813.22
6'	521.64	535.86	630.28	683.82	813.22	844.51
7'	535.86	550.24	650.28	715.12	844.51	875.44
8'	685.25	703.72	844.38	866.47	1,005.97	1,042.54
9'	746.64	787.82	867.81	895.31	1,042.54	1,080.21
10'	819.46	819.46	872.94	933.31	1,080.20	1,117.78
11'	857.46	895.33	933.31	971.36	1,117.78	1,166.21
12'	895.33	933.31	971.36	1,009.24	1,166.20	1,203.90

Extra 3 ½" gate hinge set – 27.74      Extra 4 ½" gate hinge set – 35.23

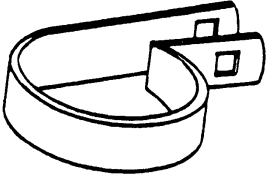
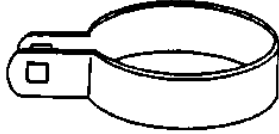
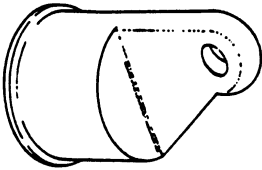
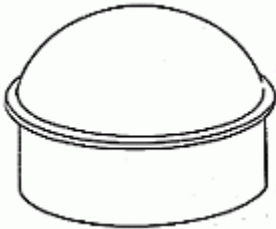
Upgrade to 4 ½" gate hinge set (2 sets of gate hinges) – 14.97

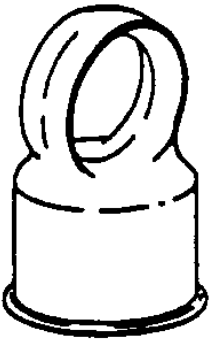
Upgrade to 4 ½" latch catch – 12.94

Note: gate hinge set includes 1 post collar, 1 frame collar and 1 hinge bolt

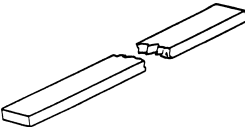

Prices for other size gates, overhead sliding gates, cantilever gates and all related hardware available on request.

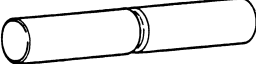
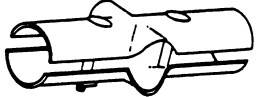
## Industrial Chain Link Fence Fittings

Tension Bands (with bolt and nut)	Size	Price each	Brace Bands (with bolt and nut)	Size	Price each
		1 <sup>5</sup> / <sub>16</sub> "		.61	
1 <sup>11</sup> / <sub>16</sub> "		.62	1 <sup>11</sup> / <sub>16</sub> "	.62	
1 <sup>7</sup> / <sub>8</sub> "		.56	1 <sup>7</sup> / <sub>8</sub> "	.56	
2 <sup>3</sup> / <sub>8</sub> "		.76	2 <sup>3</sup> / <sub>8</sub> "	.76	
2 <sup>7</sup> / <sub>8</sub> "		.81	2 <sup>7</sup> / <sub>8</sub> "	.81	
3 <sup>1</sup> / <sub>2</sub> "		.88	3 <sup>1</sup> / <sub>2</sub> "	1.55	
4 <sup>1</sup> / <sub>2</sub> "		1.68	4 <sup>1</sup> / <sub>2</sub> "	2.47	
6 <sup>5</sup> / <sub>8</sub> "		3.87	6 <sup>5</sup> / <sub>8</sub> "	3.87	
Rail End	Size	Price each	Post Cap	Size	Price each
	1 <sup>1</sup> / <sub>4</sub> "	.93		1 <sup>7</sup> / <sub>8</sub> "	1.33
	1 <sup>5</sup> / <sub>16</sub> "	1.61		2 <sup>3</sup> / <sub>8</sub> "	1.70
	1 <sup>11</sup> / <sub>16</sub> "	1.78		2 <sup>7</sup> / <sub>8</sub> "	2.35
				3 <sup>1</sup> / <sub>2</sub> "	2.82
				4 <sup>1</sup> / <sub>2</sub> "	5.38
			6 <sup>5</sup> / <sub>8</sub> "	21.83	


	Size	Price each
	1- <sup>1</sup> / <sub>2</sub> " x 1- <sup>5</sup> / <sub>16</sub> "	1.14
	1- <sup>5</sup> / <sub>8</sub> "	1.17
	1- <sup>11</sup> / <sub>16</sub> " x 1- <sup>5</sup> / <sub>16</sub> "	1.59
	1- <sup>11</sup> / <sub>16</sub> " x 1- <sup>11</sup> / <sub>16</sub> "	1.65
	1- <sup>7</sup> / <sub>8</sub> " x 1- <sup>5</sup> / <sub>16</sub> "	1.71
	1- <sup>7</sup> / <sub>8</sub> " x 1- <sup>11</sup> / <sub>16</sub> "	1.79
	2- <sup>3</sup> / <sub>8</sub> " x 1- <sup>11</sup> / <sub>16</sub> "	2.20
	2- <sup>7</sup> / <sub>8</sub> " x 1- <sup>11</sup> / <sub>16</sub> "	9.82
2- <sup>3</sup> / <sub>8</sub> " Top Wire Cap (MTO)	2.88	

**Industrial Chain Link Fence Fittings (cont'd)**

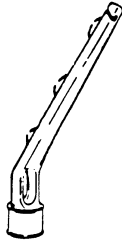
Tension Bars	Size	Price each	Gate Caps	Size	Price each	
	$\frac{1}{2}$ " Steel					
	36"	2.65		$1\frac{5}{16}$ "	1.79	
	42"	3.10		$1\frac{11}{16}$ "	1.61	
	48"	3.54				
	60"	4.42				
	72"	5.31				
	$\frac{3}{4}$ " Steel					
	36" – 144"	.93/ft.				


Sleeves	Size	Price each
	$1\frac{1}{4}$ "	1.88
	$1\frac{5}{16}$ "	1.99
	$1\frac{11}{16}$ "	2.18
Two-Way Sockets	Size	Price each
	$1\frac{7}{8}$ " x $1\frac{5}{16}$ "	3.68
	$2\frac{3}{8}$ " x $1\frac{11}{16}$ "	4.05
	$2\frac{7}{8}$ " x $1\frac{11}{16}$ "	5.30

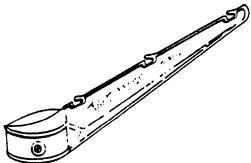
**Industrial Chain Link Fence Fittings (cont'd)**

Description	Size		Price each
<b>Tie Wires</b>	11ga. x 6½" aluminum	Each	.09
		Per 100	8.68
	11ga. x 6½" vinyl	Each	.08
		Per 100	7.83
	9ga. x 8¼" aluminum	Each	.13
		Per 100	12.01
		Per box (price per 100)	11.68
	9ga. x 9½" aluminum	Each	.13
		Per 100	12.94
		Per box (price per 100)	12.12
<b>Bolts and Nuts</b>	5/16" x 1¼"	Each	.20
		Per 100	19.18
<b>Bottom Wire</b>	9ga. galvanized	Per foot	.12
		Per 50lb. coil	115.82
	9ga. vinyl	Per foot	.15
		Per 50lb. coil	143.06
	6ga. galvanized	Per foot	.25
		Per 50lb. coil	125.20
	6ga. vinyl	Per foot	.43
		Per 50lb. coil	210.84
<b>Bottom Wire Clips</b>		Per box of 1000	62.34
<b>Misc. Hardware</b>	Eye bolt w/nut		1.48
	Eye bolt bracket		3.66
<b>Turnbuckles</b> 	5/16" x 4"		4.87
	3/8" x 6"		7.74
<b>Sleeve anchors</b>	3/8" x 1 7/8"		.80
	1/2" x 2 1/4"		.84

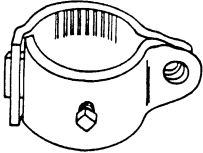
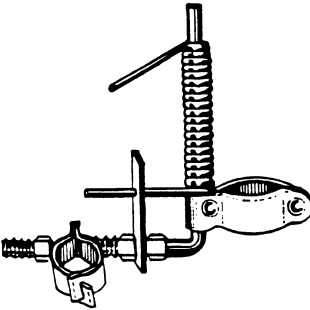
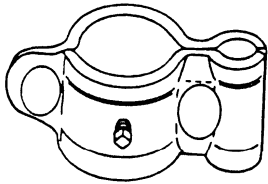
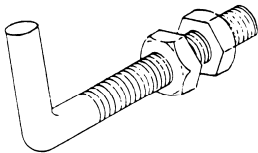
**Industrial Chain Link Fence Fittings (cont'd)**

Overhang Barbed Wire Arms	Size	Price each
	1 $\frac{7}{8}$ " steel	4.87
	2 $\frac{3}{8}$ " aluminum	6.64
	2 $\frac{7}{8}$ " aluminum	26.94
	T-Post	7.43
	Double 2 $\frac{3}{8}$ "	31.53

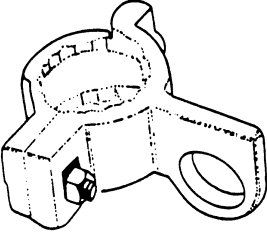
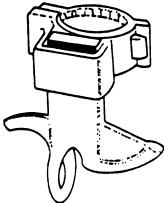
Vertical Barbed Wire Arms	Size	Price each
	1 $\frac{7}{8}$ " aluminum	12.41
	2 $\frac{3}{8}$ " aluminum	14.08

Corner Barbed Wire Arms	Size	Price each
	2 $\frac{7}{8}$ " aluminum	17.20
	3 $\frac{1}{2}$ " aluminum	16.96

## Industrial Chain Link Gate Hardware

<b>Industrial Post Collars</b>  	<b>Size</b>	<b>Price each</b>
	<b>Pressed Steel</b>	
	2 <sup>3</sup> / <sub>8</sub> " x 3/4" w/o bolt (light)	9.99
	2 <sup>7</sup> / <sub>8</sub> " x 3/4" w/o bolt (light)	10.47
	3 <sup>1</sup> / <sub>2</sub> " x 3/4" w/o bolt (light)	11.44
	4 <sup>1</sup> / <sub>2</sub> " x 3/4" w/o bolt (heavy)	18.93
	6 <sup>5</sup> / <sub>8</sub> " x 1" w/o bolt (heavy)	76.19
<b>Industrial Spring Closures</b>  		
	w/o post or frame collar	61.12
<b>Industrial Frame Collars</b>  	<b>Industrial</b>	
	1 <sup>5</sup> / <sub>16</sub> " x 3/4" (light)	10.79
	1 <sup>11</sup> / <sub>16</sub> " x 3/4" (light)	9.25
	1 <sup>7</sup> / <sub>8</sub> " x 3/4" (malleable)	26.83
	<b>Wicket</b>	
	1 <sup>5</sup> / <sub>16</sub> " x 3/4"	14.70
1 <sup>11</sup> / <sub>16</sub> " x 3/4"	15.59	
<b>Industrial Hinge Bolts</b>  		
	3/4" x 6" shoulder w/nuts	7.06
	3/4" x 8" w/nuts	10.05
	3/4" x 12" w/nuts and washers	10.96
	1" x 9" w/nuts	36.34

**Industrial Chain Link Gate Hardware (cont'd)**

Industrial Latch Catch	Size	Price each
	1 <sup>5</sup> / <sub>16</sub> "	24.62
	1 <sup>11</sup> / <sub>16</sub> "	21.08
	1 <sup>7</sup> / <sub>8</sub> "	31.23
	2 <sup>3</sup> / <sub>8</sub> "	32.08
	2 <sup>7</sup> / <sub>8</sub> "	38.93
	3 <sup>1</sup> / <sub>2</sub> "	35.90
	4 <sup>1</sup> / <sub>2</sub> "	48.83
	6 <sup>5</sup> / <sub>8</sub> "	70.22
<b>Industrial Drop Latch</b> 		
	1 <sup>5</sup> / <sub>16</sub> "	46.16
	1 <sup>11</sup> / <sub>16</sub> "	40.24
	1 <sup>7</sup> / <sub>8</sub> "	61.57
<b>Misc. Gate Hardware</b>	<b>Size</b>	<b>Price each</b>
Wall latch		45.00
Gate chain hold opens		10.56
Cane bolts	¾" x 36" w/brackets	28.74
Centre rest	with pipe	44.13
	w/o pipe	32.22
Galvanized chain	¾" 3 <sup>3</sup> / <sub>16</sub> "	1.80/ft.

## Standard Specifications for Industrial Chain Link Fence

Spec. #	Gauge	Mesh	Terminal Posts O.D.	Intermediate Posts O.D.	Top Rail O.D.	Full Fabric Height or including Barb Wire Overhang	Recommended Applications
1	6	2"	3½"	2¾"	1 <sup>11</sup> / <sub>16</sub> "	FFH or BWO	Heavy Industrial
2	9	2"	3½"	2¾"	1 <sup>11</sup> / <sub>16</sub> "	FFH or BWO	Industrial or Commercial
3	9	2"	2¾"	1¾"	1 <sup>5</sup> / <sub>16</sub> "	FFH or BWO	Light Industrial or Commercial
4	9	1½"	3½"	2¾"	1 <sup>11</sup> / <sub>16</sub> "	FFH or BWO	Industrial or Commercial including Tennis Courts

## Metric Conversion

Pipe Sizes	Fence Height	Wire Gauge	Common Metric Conversions Table	
			Convert	multiply by
1 <sup>5</sup> / <sub>16</sub> " = 33.44mm	4' = 1.2m	6ga. = 5.0mm	metres to feet	3.2808
1 <sup>11</sup> / <sub>16</sub> " = 42.2mm	5' = 1.5m	9ga. = 3.5mm	mm to inches	0.0394
1 <sup>7</sup> / <sub>8</sub> " = 48.3mm	6' = 1.8m	11ga. = 3.0mm	kg to pounds	2.2046
2 <sup>3</sup> / <sub>8</sub> " = 60.3mm	7' = 2.1m		feet to metres	0.3048
2 <sup>7</sup> / <sub>8</sub> " = 73.0mm	8' = 2.4m	Mesh Size	inches to mm	25.4003
3 <sup>1</sup> / <sub>2</sub> " = 88.9mm	10' = 3.0m	1½" = 38.1mm	pounds to kg	0.4536
4 <sup>1</sup> / <sub>2</sub> " = 114.3mm	12' = 3.6m	1¾" = 44.5mm		
6 <sup>5</sup> / <sub>8</sub> " = 168.3mm		2" = 50.8mm		

## Holes per Cubic Metre of Concrete

Depth	Diameter					
	6"	8"	10"	12"	16"	18"
36"	59.5	33.5	21.5	15.0	8.5	6.6
42"	51.1	28.7	18.3	12.7	7.2	5.7
48"	44.7	25.2	16.1	11.2	6.2	4.9
54"	39.8	22.4	14.3	9.9	5.6	4.4

1 cubic metre is approx. equal to 1.31 cubic yards