



McGowan Fence & Supply Limited

811 Progress Avenue
Scarborough, Ontario M1H 2X4
Tel (416)431-5556 Fax (416)431-2595

2011 CATALOGUE **All Products and Price List**

QUALITY
and
Service

Since 1948

TERMS AND CONDITIONS

ALL PRICES, EXCEPT THOSE LISTED AS NET, ARE SUBJECT TO YOUR DEALER DISCOUNT. (TO CONFIRM DISCOUNT LEVEL, PLEASE PHONE)

ALL PRICES ARE C.O.D. UNLESS PRIOR CREDIT ARRANGEMENTS HAVE BEEN ESTABLISHED. PAYMENT BY CASH, APPROVED CHEQUE, DEBIT CARD, VISA, OR MASTER CARD.

ALL PRICES ARE F.O.B. OUR YARD, 811 PROGRESS AVE. SCARBOROUGH, ONTARIO M1H 2X4. DELIVERIES TO BE ARRANGED.

THE H.S.T. SALES TAX (IF APPLICABLE) IS EXTRA TO ALL CATALOGUE PRICES.

PRICES AND SPECIFICATIONS SUBJECT TO CHANGE WITHOUT NOTICE.

Illustrations reprinted with permission of Metro Fence & Fittings Ltd.

Copyright 2011 McGowan Fence & Supply Limited

Table of Contents – Complete Catalogue

Residential Section (R)

Residential Fence Kits - 10' Centers	R-1
Residential Fence Kits - 8' Centers	R-2
End Post Kits	R-3
Corner Post Kits	R-3
Gates	R-3
Residential Double Gates	R-4
Gate Frames	R-4
Residential Galvalume Tubing	R-4
Coloured Residential Tubing - Posts and Rail	R-5
Coloured Fittings	R-5
Coloured Gates	R-6
Coloured Gate Frames	R-6
Coloured Gate Hardware	R-6
Chain Link Fabrics per Foot	R-7
Galvanized	R-7
Vinyl Coated	R-7
Chain Link Fabrics per Roll	R-8
Galvanized	R-8
Vinyl Coated	R-8
Residential Chain Link Fence Fittings	R-9
Tension Bands	R-9
Brace Bands	R-9
Rail Ends	R-9
Post Caps	R-9
Tension Bars	R-9
Line Post Caps	R-9
Tie Wires	R-10
Bolts and Nuts	R-10
Bottom Wire	R-10
Bottom Wire Clips	R-10
Galvanized Gate Clips	R-10
Residential Chain Link Gate Hardware	R-11
Post Collars	R-11
Spring Closures	R-11
Frame Collars	R-11
Hinge Bolts	R-11
Finger Latches	R-11
Latch Catches	R-11
Cane Bolts	R-11

Industrial Section (I)

Industrial Fence Kits - Spec #2	I-1
End Posts	I-1
Corner Posts	I-1
Industrial Fence Kits - Spec #3	I-2
End Posts	I-2
Corner Posts	I-2
Chain Link Fabrics per Foot	I-3
Galvanized	I-3
Vinyl Coated	I-3
Chain Link Fabrics per Roll	I-4
Galvanized	I-4
Vinyl Coated	I-4
Galvanized Pipe	I-5
Schedule 40	I-5
Light Wall	I-5
Industrial Chain Link Swing Gates	I-6
Industrial Chain Link Fence Fittings	I-7
Tension Bands	I-7
Brace Bands	I-7
Rail Ends	I-7
Post Caps	I-7
Line Post Caps	I-7
Tension Bars	I-8
Gate Caps	I-8
Sleeves	I-8
Two-Way Sockets	I-8
Tie Wires	I-9
Bolts and Nuts	I-9
Bottom Wire	I-9
Bottom Wire Clips	I-9
Eye Bolts and Brackets	I-9
Turnbuckles	I-9
Sleeve Anchors	I-9
Overhang Barbed Wire Arms	I-10
Vertical Barbed Wire Arms	I-10
Corner Barbed Wire Arms	I-10
Industrial Chain Link Gate Hardware	I-11
Post Collars	I-11
Spring Closures	I-11
Frame Collars	I-11
Hinge Bolts	I-11
Latch Catches	I-12
Drop Latches	I-12
Wall Latch	I-12
Gate Chain Hold Opens	I-12
Cane Bolts	I-12
Centre Rests	I-12
Galvanized Chain	I-12

Misc. Section (M)

Welded Wire Fabric.....M-1
Barbed WireM-1
StaplesM-1
Farm Fence.....M-1
Merchant WireM-2
Quik RokM-2
Painted Steel T-Posts and ClipsM-2
Vexar Plastic Fence.....M-3
Snow Fence TiesM-3
Pre-Galvanized Flex Beam Guard Rail.....M-3
Dog Kennels.....M-4

Ornamental Section (O)

Iron Eagle Tradition - Residential O-1
Residential Two Rail system O-1
Residential Three Rail system O-1
Posts O-1
Iron Eagle 2000 Series - Residential..... O-2
Residential Two Rail system O-2
Residential Three Rail system O-2
Posts O-2
Iron Eagle Residential Fittings O-3
Iron Eagle II - Industrial O-6
Industrial Two Rail system O-6
Industrial Three Rail system O-6
Posts O-6
Iron Eagle Industrial Fittings O-7

Residential Fence Kits – 10 Foot Centers - Per Foot Price

All per foot prices of our fence kits include the following:

Line posts spaced every 10 ft. with linepost caps, top rail in 10 ft. sections (swedged), chain link fabric, bottom wire and tie wires.

Height and Mesh Size	Galvanized Frame		Coloured Frame
	Galv. Fabric	Vinyl Fabric	Vinyl Fabric
2" Mesh - 9ga. 36" High 42" High 48" High 60" High 72" High		3.65 3.95 4.25 4.96 5.94	4.41 4.72 5.02 5.76 6.77
1½" Mesh - 11ga. 36" High 42" High 48" High 60" High 72" High		On Request On Request 4.37 5.11 6.13	On Request On Request 5.14 5.92 6.95
1½" Mesh - 9ga. 36" High 42" High 48" High 60" High 72" High		On Request On Request 5.26 6.22 7.46	On Request On Request 6.03 7.02 8.29
2¼" Mesh - 11ga. 48" High 60" High 72" High	4.34 5.06 6.07		

Vinyl frame and fabric available in green, white, black or brown.

Residential Fence Kits – 8 Foot Centers - Per Foot Price

All per foot prices of our fence kits include the following:

Line posts spaced every 8 ft. with linepost caps, top rail in 10 ft. sections (swedged), chain link fabric, bottom wire and tie wires.

Note: Residential fencing with 8 ft. centers may be required for pool enclosures in your area. Check your municipal bylaws for the exact legal requirements.

Height and Mesh Size	Galvanized Frame		Coloured Frame
	Galv. Fabric	Vinyl Fabric	Vinyl Fabric
2" Mesh - 9ga. 36" High 42" High 48" High 60" High 72" High		3.85 4.16 4.46 5.19 6.27	4.70 5.00 5.31 6.09 7.20
1½" Mesh - 11ga. 36" High 42" High 48" High 60" High 72" High		On Request On Request 4.58 5.34 6.45	On Request On Request 5.43 6.24 7.38
1½" Mesh - 9ga. 36" High 42" High 48" High 60" High 72" High		On Request On Request 5.47 6.45 7.78	On Request On Request 6.31 7.35 8.71
2¼" Mesh - 11ga. 48" High 60" High 72" High	4.54 5.29 6.39		

Vinyl frame and fabric available in green, white, black or brown.

Residential Fence Kits - End or Corner Posts; Gates

Residential End Post Kits

All end post kits include 1 post, 1 $\frac{1}{8}$ " O.D. (2 $\frac{3}{8}$ " O.D. for 6 ft. fence).
 Length to suit fence height, complete with post cap, rail end and brace band, tension bands, tension bar and bolts and nuts.

Fence Height	Galvanized	Coloured
36", 42" or 48" High Fence	16.46	23.92
60" High Fence	19.12	27.82
72" High Fence	25.63	34.96

Residential Corner Post Kits

All corner posts include 1 post, as above, but 2 complete sets of fittings.

Fence Height	Galvanized	Coloured
36", 42" or 48" High Fence	23.55	35.30
60" High Fence	27.61	41.43
72" High Fence	36.22	50.72

Residential Gates

Unit prices are for 2 pc. gate frame 1 $\frac{1}{4}$ " O.D. tubing complete with all necessary latching and hinging hardware for 1 $\frac{1}{8}$ " O.D. post.

1 $\frac{1}{8}$ " spring closures are extra @ \$22.71 ea.

Upgrade to 2 $\frac{3}{8}$ " O.D. hardware extra @ \$3.32 per set (includes 2 $\frac{3}{8}$ " post collars and latch catch)

Gate Height	3 Ft. Wide	3 $\frac{1}{2}$ Ft. Wide	4 Ft. Wide	5 Ft. Wide	6 Ft. Wide
36" High	85.24	89.03	90.99		
42" High	85.24	89.03	90.99		
48" High	85.24	89.03	90.99	102.21	110.03
60" High	93.13	94.18	101.88	108.09	
72" High	99.85	101.21	106.14		

Residential Double Gates

2 pc. Frame 1¼" O.D. Tubing, complete with all necessary latching and hinging hardware.

	Width				
	6'	7'	8'	10'	12'
Height	1- 7/8" Fittings			2-3/8" Fittings	
36"	188.89	196.47	200.39		
42"	188.89	196.47	200.39		
48"	188.89	196.47	200.39	225.38	241.01
60"	204.66	206.77	222.16	237.14	
72"	218.10	220.84	230.69		

Residential Gate Frames

Unit prices are for 2 pc. gate frame 1¼" O.D. galvalume tubing.

Gate Height	3 Ft. Wide	3½ Ft. Wide	4 Ft. Wide	5 Ft. Wide
36" High	23.28	24.49	24.49	
42" High	23.28	24.49	24.49	
48" High	23.28	24.49	24.49	30.90
60" High	24.09	25.22	28.10	34.32
72" High	28.10	30.49	30.52	

Residential Galvalume Tubing - Posts, Top Rail and Gate Extensions - Price Each

Size	Description	Gauge	Length	#/Bdle	Loose	Bundle Lot
1-¼"	Toprail	17 ga.	10'4"	91	9.49	8.62
1-½"	Line Post	17 ga.	6'6"	61	7.00	6.37
1-½"	Line Post	17 ga.	7'6"	61	8.10	7.36
1-¾"	Main Post	17 ga.	6'6"	61	8.85	8.05
1-¾"	Main Post	17 ga.	7'6"	61	10.23	9.30
1-¾"	Main Post	17 ga.	8'6"	61	11.58	10.53
2-¾"	Main Post	17 ga.	8'6"	37	14.68	13.34
1-¼"	Gate Extensions - Double Swedged	17 ga.	66"	-	5.86	-

Coloured Residential Tubing – Posts, Top Rail and Gate Extensions

Available in Green, White, Black, Brown

Size	Description	Gauge	Length	Price Each
1-1/4"	Toprail	17 ga.	10'3"	14.26
1-1/2"	Line Post	17 ga.	6'6"	10.03
1-1/2"	Line Post	17 ga.	7'6"	11.58
1-7/8"	Main Post	17 ga.	6'6"	11.86
1-7/8"	Main Post	17 ga.	7'6"	13.71
1-7/8"	Main Post	17 ga.	8'6"	15.52
2-3/8"	Main Post	17 ga.	8'6"	18.81
1-1/4"	Gate Extensions - Double Swedged	17 ga.	66"	8.91

Coloured Residential Fittings

Description	Size	Price Each
Line Post Caps	1-1/2"	1.70
	1-7/8"	2.16
Main Post Caps	1-7/8"	1.75
	2-3/8"	2.09
Tension Bands w/bolt and nut	1-7/8"	1.05
	2-3/8"	1.21
Brace Bands w/bolt and nut	1-7/8"	1.05
	2-3/8"	1.21
Rail Ends	1-1/4"	1.47
Tension Bars	36"	3.63
	42"	4.23
	48"	4.84
	60"	6.05
	72"	7.26
Tie Wires	11 ga.	.08
	9 ga.	.10
Bottom Wire	9 ga.	.15/ft.

Coloured Residential Gates – Includes fill and fittings for 1-7/8" posts

Size	Price Each
3-1/2' x 48"	99.87
3-1/2' x 60"	106.32
3-1/2' x 72"	115.00

Coloured Residential Gate Frames

Size	Price Each
4' x 48" high	26.88
4' x 60" high	29.27
4' x 72" high	32.64

Coloured Residential Gate Hardware

Description	Price Each
Post collars – 1-7/8"	5.94
Post collars – 2-3/8"	6.95
Frame collars – 1-1/4"	3.89
Finger latches – 1-1/4"	11.40
Latch catches – 1-1/4"	8.29
Latch catches – 1-7/8"	6.93
Latch catches – 2-3/8"	8.95
Wall latch w/sleeve anchors	15.01
Spring closures – 1-7/8" x 1-1/4"	28.37
Spring closures – 2-3/8" x 1-1/4"	33.61
Cane Bolt – 1/2" x 24" w/frame collars	17.32
Gate clips – 1-1/4"	.75

Chain Link Fabrics – per foot price, weights per 100 feet

Galvanized

Fence Height	2"- 6ga.	Wgt.	2"- 9ga.	Wgt.	2 ¼"- 11ga.	Wgt.	1½"- 9ga.	Wgt.
3'			2.75	183				
3-½'			3.21	214				
4'	8.45	474	3.66	244	2.75	150	6.48	364
5'	10.56	592	4.58	305	3.44	186	8.10	454
6'	12.68	710	5.50	366	4.13	226	9.72	544
7'	14.79	828	6.41	427			11.35	636
8'	16.90	946	7.33	488			12.97	726
10'	21.13	1182	9.16	610			16.21	908
12'	25.35	1418	10.99	732			19.45	1090

Vinyl Coated – green, white, black, brown

Fence Height	2"- 6ga.	Wgt.	2"- 9ga.	Wgt.	2"- 11ga.	Wgt.	1½"- 9ga.	Wgt.	1½"- 11ga.	Wgt.
3'			2.00	106	Not	68				100
3-½'			2.33	126	A	86				116
4'	5.50	286	2.66	144	Stock	98	3.77	210	2.79	132
5'	6.87	384	3.33	176	Item	124	4.71	264	3.49	166
6'	8.25	440	3.99	214		142	5.65	320	4.19	200
7'	9.62	536	4.66	252			6.60	374		
8'	11.00	592	5.32	314			7.54	420	1¾"- 9ga.	
10'	13.75	782	6.65	392			9.42	528	9.20	464
12'	16.50	938	7.98	470			11.31	640	11.04	560

Chain Link Fabrics – prices per 50 foot roll

Aluminum Fabric
 - prices available on request-

Galvanized

Fence Height	2"- 6ga.	2"- 9ga.	2 ¼"- 11ga.	1-½"- 9ga.
3'		124.92		
3-½'		145.74		
4'	384.10	166.56	125.09	294.69
5'	480.12	208.20	156.36	368.36
6'	576.14	249.84	187.63	442.03
7'	672.17	291.48		515.70
8'	768.19	333.12		589.38
10'	960.24	416.40		736.72
12'	1,152.29	499.68		884.06

Vinyl Coated – green, white, black, brown

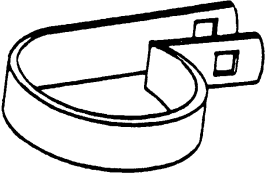
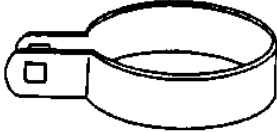
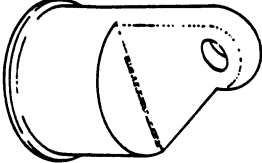
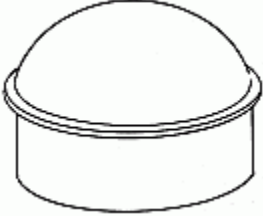
Fence Height	2"- 6ga.	2"- 9ga.	2"- 11ga.	1-½"- 9ga.	1-½"- 11ga.
3'		90.72			
3-½'		105.84			
4'	249.48	120.96		171.36	127.01
5'	312.48	151.20		214.20	158.76
6'	374.98	181.44		257.04	190.51
7'	437.47	211.68			
8'	499.97	241.92		342.72	1 ¾" - 9 ga.
10'	624.96	302.40		428.40	418.32
12'	749.95	362.88		514.08	501.98

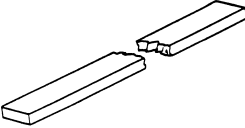
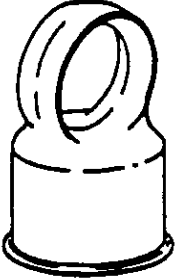
Wire Selvage



Knuckle Top

Residential Chain Link Fence Fittings


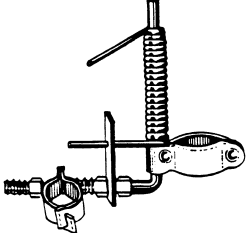
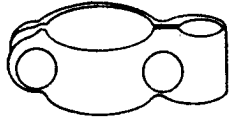
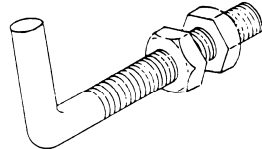
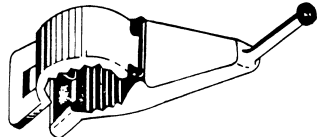
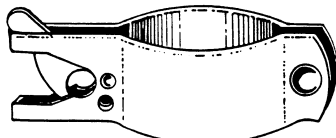
Tension Bands (with bolt and nut)	Size	Price each	Brace Bands (with bolt and nut)	Size	Price each
		1 ⁷ / ₈ "		.56	
	2 ³ / ₈ "	.76		2 ³ / ₈ "	.76
Rail Ends	Size	Price each	Post Caps	Size	Price each
	1 ¹ / ₄ "	.93		1 ⁷ / ₈ "	1.33
				2 ³ / ₈ "	1.70

Tension Bars	Size	Price each	Line Post Caps	Size	Price each
		1/2" Steel			1-1/2"
	36"	2.65		1-7/8" x 1-5/16"	1.71
	42"	3.10			
	48"	3.54			
	60"	4.42			
	72"	5.31			

Residential Chain Link Fence Fittings (cont'd)

Description	Size	Quantity	Price each
Tie Wires	11ga. x 6 ½" aluminum	Each	.09
		Per 100	8.68
	11ga. x 6 ½" vinyl	Each	.08
		Per 100	7.83
Bolts and Nuts	5/16" x 1¼"	Each	.20
		Per 100	19.18
Bottom Wire	9ga. galvanized	Per foot	.12
		Per 50lb. coil	115.82
	9ga. vinyl	Per foot	.15
		Per 50lb. coil	143.06
Bottom Wire Clips		Per box of 1000	62.34
Galvanized Gate Clips		Each	.35

Residential Chain Link Gate Hardware

Residential Post Collars	Size	Price each
	Pressed Steel	
	1 $\frac{7}{8}$ " x 1 $\frac{1}{2}$ " w/ bolt	4.09
	2 $\frac{3}{8}$ " x 1 $\frac{1}{2}$ " w/ bolt	4.73
Residential Spring Closures		
	1 $\frac{7}{8}$ "	22.71
	2 $\frac{3}{8}$ "	29.68
Residential Frame Collars		
	1 $\frac{1}{4}$ "	2.00
Residential Hinge Bolts		
	1 $\frac{1}{2}$ " x 3" w/nuts	2.60
	1 $\frac{1}{2}$ " x 3" lag	2.40
	1 $\frac{1}{2}$ " x 7" w/nuts	4.01
Residential Finger Latches		
	1 $\frac{1}{4}$ "	10.42
Residential Latch Catches		
	1 $\frac{1}{4}$ "	7.06
	1 $\frac{7}{8}$ "	5.67
	2 $\frac{3}{8}$ "	7.72
Wall Latch	w/sleeve anchors	14.06
Residential Cane Bolts	1 $\frac{1}{2}$ " x 24" w/brackets	17.02

Industrial Fence Kits – Spec #2

Includes 2- $\frac{3}{8}$ " O.D. lineposts and caps or barbarmms (10' O.C.), 1- $\frac{11}{16}$ " O.D. top rail with sleeves, 2" x 9ga. galvanized chain link fabric (1.2 oz.), 9 ga. bottom wire and 9 ga. aluminum ties.

	.100 Wall		Schedule 40	
Fence Height	FFH	+Barb	FFH	+Barb
48"	7.51		9.06	
60"	8.60		10.28	
72"	9.70	10.40	11.50	12.21
96"	11.88	12.58	13.95	14.65
120"	14.06	14.76	16.39	17.09

End Posts – includes 3- $\frac{1}{2}$ " O.D. post with cap, 1 tension bar, tension bands, brace band and rail end.

	.125 Wall		Schedule 40	
Fence Height	FFH	+Barb	FFH	+Barb
48"	50.98		76.85	
60"	57.78		87.10	
72"	63.75	73.32	96.52	109.54
96"	77.37	86.93	117.04	130.05
120"	91.81	101.38	138.38	151.40

Corner Posts – includes 3- $\frac{1}{2}$ " O.D. post with cap, 2 tension bar, tension bands, brace bands and rail ends.

	.125 Wall		Schedule 40	
Fence Height	FFH	+Barb	FFH	+Barb
48"	61.33		87.20	
60"	69.90		99.23	
72"	76.80	90.89	109.57	127.12
96"	93.95	108.04	133.62	151.16
120"	112.77	126.86	159.34	176.88

Extra Terminal Post Braces @ 24.34 for .100 wall or 31.06 or Schedule 40.

Industrial Fence Kits – Spec #3

Includes 1-⁷/₈" O.D. lineposts and caps or barbarmms (10' O.C.), 1-⁵/₁₆" O.D. top rail with sleeves, 2" x 9ga. galvanized chain link fabric (1.2 oz.), 9 ga. bottom wire and 9 ga. aluminum ties.

Fence Height	.100 Wall		Schedule 40	
	FFH	+Barb	FFH	+Barb
48"	6.68		7.69	
60"	7.72		8.82	
72"	8.76	9.33	9.94	10.51
96"	10.83	11.40	12.18	12.76
120"	12.90	13.48	14.43	15.00

End Posts – includes 2-³/₈" O.D. post with cap, 1 tension bar, tension bands, brace band and rail end.

Fence Height	.100 Wall		Schedule 40	
	FFH	+Barb	FFH	+Barb
48"	31.24		41.48	
60"	35.61		47.23	
72"	39.26	44.16	52.24	58.51
96"	48.02	52.91	63.73	69.99
120"	57.49	62.39	75.94	82.20

Corner Posts – includes 2-³/₈" O.D. post with cap, 2 tension bar, tension bands, brace bands and rail ends.

Fence Height	.100 Wall		Schedule 40	
	FFH	+Barb	FFH	+Barb
48"	40.36		50.61	
60"	46.39		58.00	
72"	50.97	58.04	63.95	72.39
96"	63.03	70.10	78.74	87.18
120"	76.54	83.61	94.99	103.42

Extra Terminal Post Braces @ 23.58 for .100 wall or 30.30 for Schedule 40.

Chain Link Fabrics – per foot price, weights per 100 feet

Galvanized

Fence Height	2"- 6ga.	Wgt.	2"- 9ga.	Wgt.	2¼" – 11ga.	Wgt.	1½"- 9ga.	Wgt.
3'			2.75	183				
3-½'			3.21	214				
4'	8.45	474	3.66	244	2.75	150	6.48	364
5'	10.56	592	4.58	305	3.44	186	8.10	454
6'	12.68	710	5.50	366	4.13	226	9.72	544
7'	14.79	828	6.41	427			11.35	636
8'	16.90	946	7.33	488			12.97	726
10'	21.13	1182	9.16	610			16.21	908
12'	25.35	1418	10.99	732			19.45	1090

Vinyl Coated – green, white, black, brown

Fence Height	2"- 6ga.	Wgt.	2"- 9ga.	Wgt.	2"- 11ga.	Wgt.	1½"- 9ga.	Wgt.	1½"- 11ga.	Wgt.
3'			2.00	106	Not	68				100
3-½'			2.33	126	A	86				116
4'	5.50	286	2.66	144	Stock	98	3.77	210	2.79	132
5'	6.87	384	3.33	176	Item	124	4.71	264	3.49	166
6'	8.25	440	3.99	214		142	5.65	320	4.19	200
7'	9.62	536	4.66	252			6.60	374		
8'	11.00	592	5.32	314			7.54	420	1¾"- 9ga.	
10'	13.75	782	6.65	392			9.42	528	9.20	464
12'	16.50	938	7.98	470			11.31	640	11.04	560

Chain Link Fabrics – prices per 50 foot roll

Aluminum Fabric
 - prices available on request-

Galvanized

Fence Height	2"- 6ga.	2"- 9ga.	2¼" – 11ga.	1-½"- 9ga.
3'		124.92		
3-½'		145.74		
4'	384.10	166.56	125.09	294.69
5'	480.12	208.20	156.36	368.36
6'	576.14	249.84	187.63	442.03
7'	672.17	291.48		515.70
8'	768.19	333.12		589.38
10'	960.24	416.40		736.72
12'	1,152.29	499.68		884.06

Vinyl Coated – green, white, black, brown

Fence Height	2"- 6ga.	2"- 9ga.	2"- 11ga.	1-½"- 9ga.	1-½"- 11ga.
3'		90.72			
3-½'		105.84			
4'	249.48	120.96		171.36	127.01
5'	312.48	151.20		214.20	158.76
6'	374.98	181.44		257.04	190.51
7'	437.47	211.68			
8'	499.97	241.92		342.72	1 ¾" - 9 ga.
10'	624.96	302.40		428.40	418.32
12'	749.95	362.88		514.08	501.98

Wire Selvage



Knuckle Top



Barbed Top

Galvanized Pipe – plain ends

Schedule 40

O.D. Size	Wall Thickness	Weight per 100'	Price	
			Per Foot	Per 100'
1- ⁵ / ₁₆ "	.133	169 lbs.	2.08	189.28
1- ¹¹ / ₁₆ "	.140	227 lbs.	2.80	254.24
1- ⁷ / ₈ "	.145	272 lbs.	3.35	304.64
2- ³ / ₈ "	.154	365 lbs.	4.50	408.80
2- ⁷ / ₈ "	.203	579 lbs.	7.13	648.48
3- ¹ / ₂ "	.216	758 lbs.	9.34	848.96
4- ¹ / ₂ "	.237	1079 lbs.	13.29	1,208.48
6- ⁵ / ₈ "	.280	1897 lbs.	23.37	2,124.64

Light Wall

O.D. Size	Wall Thickness	Weight per 100'	Price	
			Per Foot	Per 100'
1- ⁵ / ₁₆ "	.100	130 lbs.	1.60	145.60
1- ¹¹ / ₁₆ "	.100	167 lbs.	2.06	187.04
1- ⁷ / ₈ "	.100	192 lbs.	2.37	215.04
2- ³ / ₈ "	.100	243 lbs.	2.99	272.16
2- ⁷ / ₈ "	.125	367 lbs.	4.52	411.04
3- ¹ / ₂ "	.125	450 lbs.	5.54	504.00

Industrial Chain Link Swing Gates

Includes 3-½" O.D. hardware (2 sets of gate hinges), 2" x 9ga. Galvanized fill and 1 11/16" O.D. .100 wall frame.

	Width					
Height	4'	5'	6'	7'	8'	9'
3'	389.04	409.28	470.80	480.33	491.11	501.22
4'	389.04	409.28	470.80	480.33	491.11	501.22
5'	389.04	409.28	470.80	480.33	491.11	501.22
6'	409.28	419.75	480.33	491.11	501.22	511.46
7'	419.75	435.03	491.11	501.24	511.46	521.64
8'	435.03	440.57	501.24	511.47	690.00	672.32
9'	440.57	450.93	511.46	521.73	721.93	703.72
10'	450.93	461.36	521.39	531.35	778.11	746.64
11'	461.36	475.66	531.35	545.68	789.29	806.85
12'	475.66	482.12	547.92	650.28	819.46	857.46
	Width					
Height	10'	11'	12'	13'	14'	15'
3'	511.46	521.64	550.24	630.30	696.32	813.22
4'	511.46	521.64	550.24	630.30	696.32	813.22
5'	511.46	521.64	550.24	630.30	696.32	813.22
6'	521.64	535.86	630.28	683.82	813.22	844.51
7'	535.86	550.24	650.28	715.12	844.51	875.44
8'	685.25	703.72	844.38	866.47	1,005.97	1,042.54
9'	746.64	787.82	867.81	895.31	1,042.54	1,080.21
10'	819.46	819.46	872.94	933.31	1,080.20	1,117.78
11'	857.46	895.33	933.31	971.36	1,117.78	1,166.21
12'	895.33	933.31	971.36	1,009.24	1,166.20	1,203.90

Extra 3 ½" gate hinge set – 27.74 Extra 4 ½" gate hinge set – 35.23

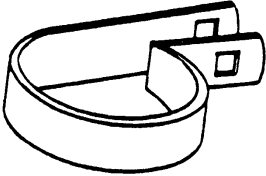
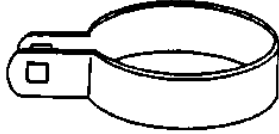
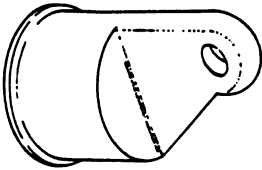
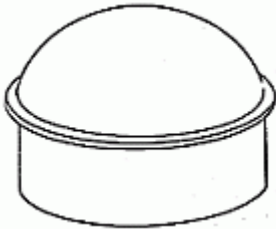
Upgrade to 4 ½" gate hinge set (2 sets of gate hinges) – 14.97

Upgrade to 4 ½" latch catch – 12.94

Note: gate hinge set includes 1 post collar, 1 frame collar and 1 hinge bolt

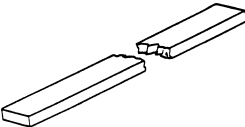

Prices for other size gates, overhead sliding gates, cantilever gates and all related hardware available on request.

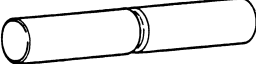
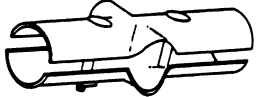
Industrial Chain Link Fence Fittings

Tension Bands (with bolt and nut)	Size	Price each	Brace Bands (with bolt and nut)	Size	Price each
		1 ⁵ / ₁₆ "		.61	
	1 ¹¹ / ₁₆ "	.62		1 ¹¹ / ₁₆ "	.62
	1 ⁷ / ₈ "	.56		1 ⁷ / ₈ "	.56
	2 ³ / ₈ "	.76		2 ³ / ₈ "	.76
	2 ⁷ / ₈ "	.81		2 ⁷ / ₈ "	.81
	3 ¹ / ₂ "	.88		3 ¹ / ₂ "	1.55
	4 ¹ / ₂ "	1.68		4 ¹ / ₂ "	2.47
	6 ⁵ / ₈ "	3.87		6 ⁵ / ₈ "	3.87
Rail End	Size	Price each	Post Cap	Size	Price each
	1 ¹ / ₄ "	.93		1 ⁷ / ₈ "	1.33
	1 ⁵ / ₁₆ "	1.61		2 ³ / ₈ "	1.70
	1 ¹¹ / ₁₆ "	1.78		2 ⁷ / ₈ "	2.35
				3 ¹ / ₂ "	2.82
				4 ¹ / ₂ "	5.38
				6 ⁵ / ₈ "	21.83


Line Post Caps	Size	Price each
	1- ¹ / ₂ " x 1- ⁵ / ₁₆ "	1.14
	1- ⁵ / ₈ "	1.17
	1- ¹¹ / ₁₆ " x 1- ⁵ / ₁₆ "	1.59
	1- ¹¹ / ₁₆ " x 1- ¹¹ / ₁₆ "	1.65
	1- ⁷ / ₈ " x 1- ⁵ / ₁₆ "	1.71
	1- ⁷ / ₈ " x 1- ¹¹ / ₁₆ "	1.79
	2- ³ / ₈ " x 1- ¹¹ / ₁₆ "	2.20
	2- ⁷ / ₈ " x 1- ¹¹ / ₁₆ "	9.82
	2- ³ / ₈ " Top Wire Cap (MTO)	2.88

Industrial Chain Link Fence Fittings (cont'd)

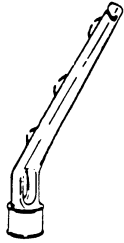
Tension Bars	Size	Price each	Gate Caps	Size	Price each	
	$\frac{1}{2}$ " Steel				$1\frac{5}{16}$ "	
	36"	2.65		$1\frac{11}{16}$ "	1.61	
	42"	3.10				
	48"	3.54				
	60"	4.42				
	72"	5.31				
	$\frac{3}{4}$ " Steel					
	36" – 144"	.93/ft.				


Sleeves	Size	Price each
	$1\frac{1}{4}$ "	1.88
	$1\frac{5}{16}$ "	1.99
	$1\frac{11}{16}$ "	2.18
Two-Way Sockets	Size	Price each
	$1\frac{7}{8}$ " x $1\frac{5}{16}$ "	3.68
	$2\frac{3}{8}$ " x $1\frac{11}{16}$ "	4.05
	$2\frac{7}{8}$ " x $1\frac{11}{16}$ "	5.30

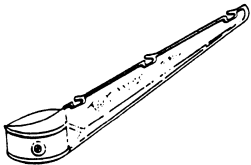
Industrial Chain Link Fence Fittings (cont'd)

Description	Size		Price each
Tie Wires	11ga. x 6½" aluminum	Each	.09
		Per 100	8.68
	11ga. x 6½" vinyl	Each	.08
		Per 100	7.83
	9ga. x 8¼" aluminum	Each	.13
		Per 100	12.01
		Per box (price per 100)	11.68
	9ga. x 9½" aluminum	Each	.13
		Per 100	12.94
		Per box (price per 100)	12.12
Bolts and Nuts	5/16" x 1¼"	Each	.20
		Per 100	19.18
Bottom Wire	9ga. galvanized	Per foot	.12
		Per 50lb. coil	115.82
	9ga. vinyl	Per foot	.15
		Per 50lb. coil	143.06
	6ga. galvanized	Per foot	.25
		Per 50lb. coil	125.20
	6ga. vinyl	Per foot	.43
		Per 50lb. coil	210.84
Bottom Wire Clips		Per box of 1000	62.34
Misc. Hardware	Eye bolt w/nut		1.48
	Eye bolt bracket		3.66
Turnbuckles 	5/16" x 4" 3/8" x 6"		4.87
			7.74
Sleeve anchors	3/8" x 1 7/8"		.80
	1/2" x 2 1/4"		.84

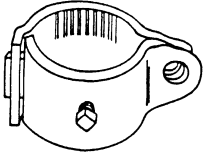
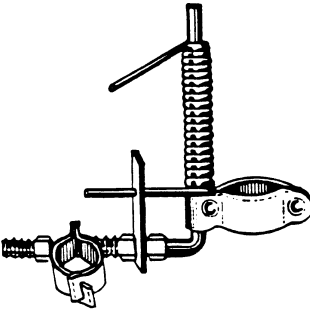
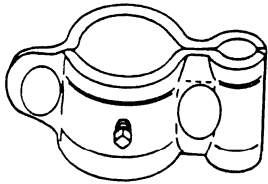
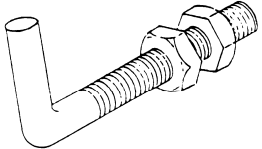
Industrial Chain Link Fence Fittings (cont'd)

Overhang Barbed Wire Arms	Size	Price each
	1 $\frac{7}{8}$ " steel	4.87
	2 $\frac{3}{8}$ " aluminum	6.64
	2 $\frac{7}{8}$ " aluminum	26.94
	T-Post	7.43
	Double 2 $\frac{3}{8}$ "	31.53

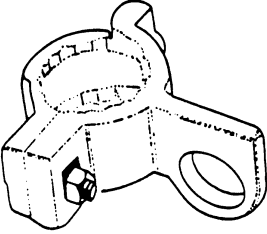
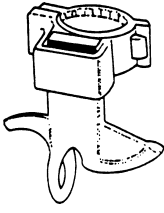
Vertical Barbed Wire Arms	Size	Price each
	1 $\frac{7}{8}$ " aluminum	12.41
	2 $\frac{3}{8}$ " aluminum	14.08

Corner Barbed Wire Arms	Size	Price each
	2 $\frac{7}{8}$ " aluminum	17.20
	3 $\frac{1}{2}$ " aluminum	16.96

Industrial Chain Link Gate Hardware

Industrial Post Collars 	Size	Price each
	Pressed Steel	
	2 ³ / ₈ " x 3/4" w/o bolt (light)	9.99
	2 ⁷ / ₈ " x 3/4" w/o bolt (light)	10.47
	3 ¹ / ₂ " x 3/4" w/o bolt (light)	11.44
	4 ¹ / ₂ " x 3/4" w/o bolt (heavy)	18.93
	6 ⁵ / ₈ " x 1" w/o bolt (heavy)	76.19
Industrial Spring Closures 		
	w/o post or frame collar	61.12
Industrial Frame Collars 	Industrial	
	1 ⁵ / ₁₆ " x 3/4" (light)	10.79
	1 ¹¹ / ₁₆ " x 3/4" (light)	9.25
	1 ⁷ / ₈ " x 3/4" (malleable)	26.83
	Wicket	
	1 ⁵ / ₁₆ " x 3/4"	14.70
	1 ¹¹ / ₁₆ " x 3/4"	15.59
Industrial Hinge Bolts 		
	3/4" x 6" shoulder w/nuts	7.06
	3/4" x 8" w/nuts	10.05
	3/4" x 12" w/nuts and washers	10.96
	1" x 9" w/nuts	36.34

Industrial Chain Link Gate Hardware (cont'd)

Industrial Latch Catch	Size	Price each
	1 ⁵ / ₁₆ "	24.62
	1 ¹¹ / ₁₆ "	21.08
	1 ⁷ / ₈ "	31.23
	2 ³ / ₈ "	32.08
	2 ⁷ / ₈ "	38.93
	3 ¹ / ₂ "	35.90
	4 ¹ / ₂ "	48.83
	6 ⁵ / ₈ "	70.22
Industrial Drop Latch		
	1 ⁵ / ₁₆ "	46.16
	1 ¹¹ / ₁₆ "	40.24
	1 ⁷ / ₈ "	61.57
Misc. Gate Hardware	Size	Price each
Wall latch		45.00
Gate chain hold opens		10.56
Cane bolts	¾" x 36" w/brackets	28.74
Centre rest	with pipe	44.13
	w/o pipe	32.22
Galvanized chain	¾" ₁₆ "	1.80/ft.

Standard Specifications for Industrial Chain Link Fence

Spec. #	Gauge	Mesh	Terminal Posts O.D.	Intermediate Posts O.D.	Top Rail O.D.	Full Fabric Height or including Barb Wire Overhang	Recommended Applications
1	6	2"	3½"	2¾"	1 ¹¹ / ₁₆ "	FFH or BWO	Heavy Industrial
2	9	2"	3½"	2¾"	1 ¹¹ / ₁₆ "	FFH or BWO	Industrial or Commercial
3	9	2"	2¾"	1¾"	1 ⁵ / ₁₆ "	FFH or BWO	Light Industrial or Commercial
4	9	1½"	3½"	2¾"	1 ¹¹ / ₁₆ "	FFH or BWO	Industrial or Commercial including Tennis Courts

Metric Conversion

Pipe Sizes	Fence Height	Wire Gauge	Common Metric Conversions Table	
			Convert	multiply by
1 ⁵ / ₁₆ " = 33.44mm	4' = 1.2m	6ga. = 5.0mm	metres to feet	3.2808
1 ¹¹ / ₁₆ " = 42.2mm	5' = 1.5m	9ga. = 3.5mm	mm to inches	0.0394
1 ⁷ / ₈ " = 48.3mm	6' = 1.8m	11ga. = 3.0mm	kg to pounds	2.2046
2 ³ / ₈ " = 60.3mm	7' = 2.1m		feet to metres	0.3048
2 ⁷ / ₈ " = 73.0mm	8' = 2.4m	Mesh Size	inches to mm	25.4003
3 ¹ / ₂ " = 88.9mm	10' = 3.0m	1½" = 38.1mm	pounds to kg	0.4536
4 ¹ / ₂ " = 114.3mm	12' = 3.6m	1¾" = 44.5mm		
6 ⁵ / ₈ " = 168.3mm		2" = 50.8mm		

Holes per Cubic Metre of Concrete

Depth	Diameter					
	6"	8"	10"	12"	16"	18"
36"	59.5	33.5	21.5	15.0	8.5	6.6
42"	51.1	28.7	18.3	12.7	7.2	5.7
48"	44.7	25.2	16.1	11.2	6.2	4.9
54"	39.8	22.4	14.3	9.9	5.6	4.4

1 cubic metre is approx. equal to 1.31 cubic yards

Welded Wire Fabric – standard galvanized – prices per 100' roll

Gauge	Mesh	Weight/100 sq. ft.	36"	48"	60"
16	1" X 1"	26lbs.	190.38	234.84	279.30
12.5	2" X 2"	35lbs.		279.30	336.30
10	2" X 2"	53lbs.		518.70	632.70

These are standard stock items. Prices on other sizes and gauges available on request.

Barbed Wire – 80 rod spools only (1320')

Type	Style number	Price per spool
4 point 5" x 15½ ga. Double Strand	Class 3, Hi-tensile	90.00

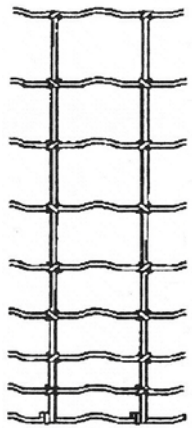
Staples – farm 1¼" galvanized

Description	Price each
Per 50 lb. box (approx. 2600 pcs.)	90.06

Farm Fence – Hi Tensile Class 3 Galvanized

Style		Weight	Roll Size	Price
8x42-12-12½	Fixed Knot	110 lbs.	20 rod (330 ft.)	254.22
8x42-12-12½	Fixed Knot	220 lbs.	40 rod (660 ft.)	510.72
9x49-12-12½	Fixed Knot	130 lbs.	20 rod (330 ft.)	288.42
9x49-12-12½	Fixed Knot	260 lbs.	40 rod (660 ft.)	575.70

The graphic image to the right shows a 9x49-12-12½ style farm fence. 9 is the number of **horizontal** line wires, 49 is the overall height in inches, 12 is the pull-out or distance, in inches, of the **vertical** stay wires and 12½ is the wire gauge. Notice that the **horizontal** line wires are spaced closer together at the bottom to prevent small animals from passing through.



A rod is equivalent to 16.5 feet or 5.0292 metres. There are 320 rods in a mile.

Merchant Wire – available in 10lb. and 50lb. coils

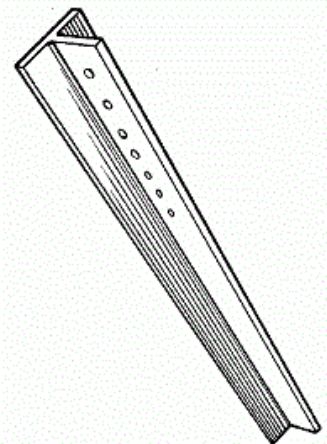
Gauge	Price per 10lb.	# ft. per 10lb. coil	Price per 50lb.	# ft. per 50lb. coil
9ga.	19.66	180 ft/coil	75.18	903 ft/coil
12ga.	20.23	346 ft/coil	76.32	1731 ft/coil
14ga.	22.17	585 ft/coil	77.46	2926 ft/coil
16ga.	24.10	914 ft/coil	78.60	4572 ft/coil

Quik Rok – fast set cement, per 50lb. pail

Net price each			
1-9 pails	10-49 pails	50-99 pails	100+pails
44.29	39.37	37.73	36.09


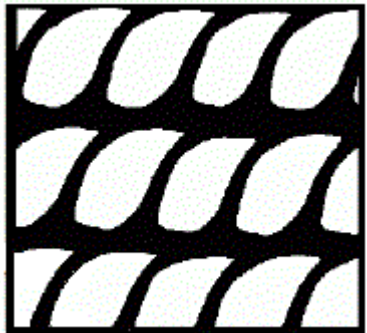
Painted steel T-Posts – punched

Length	Weight per 100	# in a bundle	Price each	
			Loose	Bundle lot
Standard weight				
6'	798lbs.	50	9.97	9.07
7'	931lbs.	50	11.70	10.64
8'	1064lbs.	50	13.44	12.22
9'	1197lbs.	50	On Request	
10'	1330lbs.	50	On Request	
Light weight				
6'	678lbs.	50	8.88	8.08
7'	791lbs.	50	10.61	9.65
8'	904lbs.	50	12.06	10.97



Vexar Plastic Fence – 100% Canadian made from recycled resins!



Description	Net price per roll			
	1-9 rolls	10-24 rolls	25+ rolls	
L60 Safety Fence International Orange - 1½" mesh x 48" 50' rolls, 26lbs. per roll	56.37	54.12	51.86	 L60/L70 Safety Fence
L70 Safety Fence/Residential Fence Orange/Green/Black - 2" mesh x 48" 50' rolls, 20lbs. per roll	34.87	33.48	32.08	
L250 Snow Fence International Orange - 48" high 50' rolls, 26lbs. per roll	51.62	49.56	47.49	 L250 Snow Fence
L69 Residential Fence International Orange - 2" mesh x 48" 50' rolls, 15lbs. per roll	31.93	30.66	29.38	

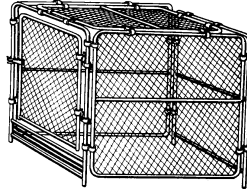
Snow Fence Ties

Size	Weight of bundle	Price per bundle
10" x 14ga.	46lbs	130.50

Pre-Galvanized Flex Beam Guard Rail

Description	Size	Price each
Guard rail – 12ga.	12'6"	135.00
Terminal section – 12ga.		58.50
Pressure treated Jackpine posts	8" x 8" x 7'4"	72.00
Pressure treated Jackpine blocks	8" x 8" x 15"	13.13

Dog Kennels



No welding, No drilling holes, Nothing to install!!

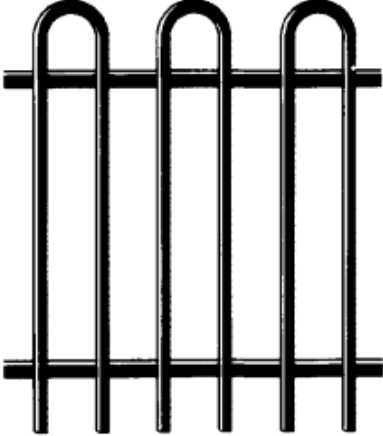
Manufactured from 1¼" O.D. x 16ga. **Hot Dip Galvanized tubing**. 2" x 11ga. galvanized fill, including 2 double frame collars per panel. Roof panels come with 8 double frame collars.

Front panels with gate (w x h)		Back panels (w x h)	
Size	Price each	Size	Price each
4' x 72"	266.08	4' x 72"	151.57
6' x 72"	339.61	6' x 72"	171.06
8' x 72"	383.92	8' x 72"	197.26
		10' x 72"	223.48
		12' x 72"	242.95
Side panels (l x h)		Roof panels (w x l)	
6' x 72"	171.06	4' x 72"	162.91
8' x 72"	197.26	6' x 72"	182.40
10' x 72"	223.48	6' x 96"	208.60
12' x 72"	242.95	6' x 120"	234.82
		6' x 144"	254.29
Fittings			
Double frame collars (MF 39)	1.89	Kennel Latch	9.48
		Gate Hinges	4.18
3 Way Clamp	2.11		

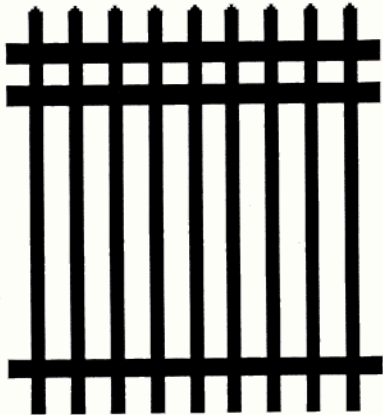
48" and 60" heights are also available. Other custom sizes are available upon request.

Iron Eagle Tradition – available in black, white, brown, green. ½" x ½" pickets, 1" x1" rails - (includes universal brackets)

Residential Two Rail system – Elegant Eagle, Imperial Eagle, Majestic Eagle, Royal Eagle

 <p style="text-align: center;">Royal Eagle</p>	Description	Price each
	8' section x 36" high	139.82
	8' section x 48" high	162.01
	8' section x 60" high	184.21
	8' section x 72" high	206.40
	3½' gate x 48" high	153.30
	5' gate x 48" high	174.52
	3½' gate x 60" high	162.29
	5' gate x 60" high	185.92
	3½' gate x 72" high	171.29
5' gate x 72" high	197.32	

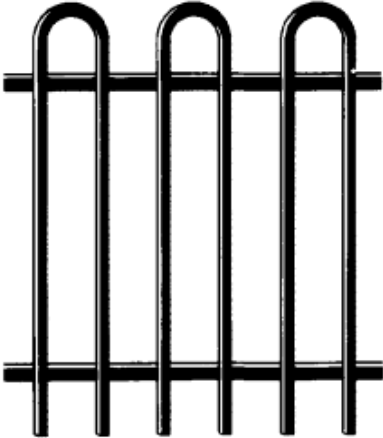
Residential Three Rail system – Silver Eagle, American Eagle

 <p style="text-align: center;">American Eagle</p>	Description	Price each
	8' section x 36" high	167.42
	8' section x 48" high	189.61
	8' section x 60" high	211.81
	8' section x 72" high	234.01
	3½' gate x 48" high	163.54
	5' gate x 48" high	188.90
	3½' gate x 60" high	172.54
	5' gate x 60" high	200.31
	3½' gate x 72" high	181.53
5' gate x 72" high	211.70	

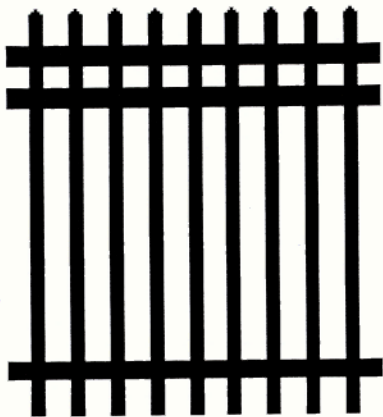
Posts - standard	Description	Price each
	2" square x 7' with pyramid cap	27.49
	2" square x 8' with pyramid cap	31.01
	2" square x 9' with pyramid cap	34.55

Iron Eagle 2000 series – 5/8" x 5/8" pickets, 1" x1" rails. Picket top available in Arrow, maple Leaf or Fleur de Lis – (includes universal brackets)

Residential Two Rail system – 2000, 2020, 2030, 2040 (Rings and Finials extra)




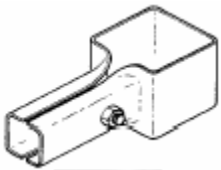



 <p style="text-align: center;">2020</p>	Description	Price each
	8' section x 36" high	150.03
	8' section x 48" high	175.84
	8' section x 60" high	201.65
	8' section x 72" high	227.46
	3½' gate x 48" high	166.39
	5' gate x 48" high	190.00
	3½' gate x 60" high	177.02
	5' gate x 60" high	203.65
	3½' gate x 72" high	187.64
5' gate x 72" high	217.31	

Residential Three Rail system – 2100, 2110, 2140, 2150 (Rings and finials extra)

 <p style="text-align: center;">2100</p>	Description	Price each
	8' section x 36" high	177.13
	8' section x 48" high	202.95
	8' section x 60" high	228.76
	8' section x 72" high	254.57
	3½' gate x 48" high	184.90
	5' gate x 48" high	212.55
	3½' gate x 60" high	195.53
	5' gate x 60" high	226.22
	3½' gate x 72" high	206.15
5' gate x 72" high	239.88	

Posts - standard	Description	Price each
	2" square x 7' with pyramid cap	27.49
	2" square x 8' with pyramid cap	31.01
	2" square x 9' with pyramid cap	34.55

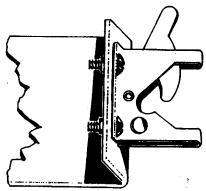
Iron Eagle Tradition and 2000 Series Residential Fittings

Description	Price	Description	Price
2" x 2" End Swivel Bracket 	5.74	2" x 2" Line Swivel Bracket 	9.31
2" x 2" Universal Bracket 	2.47	2" x 2" Line Bracket 	3.85
2" x 2" End Bracket 	3.03	1" x 1" Aluminum Wall Bracket 	2.62
1" x 1" Aluminum Wall Bracket c/w 20 Degree Angle 	3.12	2" x 2" Brace Band 	3.04
		2" x 2" Tension Band 	3.04

Colours:

(HB) High-Gloss Black	(WH) White	(SB) Semi-Gloss Black
(GR) Green	(BR) Brown	(FG) Forest Green
(SP) Special		


Iron Eagle Tradition and 2000 Series Residential Fittings – cont'd.

Description	Price	Description	Price
4 Sided Spire Post Cap 2" x 2" Aluminum 	9.27	4 Sided Acorn Post Cap 2" x 2" Aluminum 	9.84
Pyramid Post Cap 2" x 2" Aluminum 	2.79	Ball Post Cap 	7.71
Wall Latch c/w Bracket 	13.44	Wall Plate c/w 1/2" Hinge Bolt 4" x 4" Plate 	15.49

Colours:

(HB) High-Gloss Black (WH) White (SB) Semi-Gloss Black
 (GR) Green (BR) Brown (FG) Forest Green
 (SP) Special

Iron Eagle Tradition and 2000 Series Residential Fittings – cont'd.


Self Closure (set) 1 – 2" x 2" Post Collar 2 – 1" x 1" Gate Collar 	23.10	Post Collar - 2" - c/w bolt	9.90
		Frame Collar - 1"	5.33
		Latch Catch - 2"	6.86
		Finger Latch - 1"	6.16
		½" x 24" Cane bolt	28.33

Colours:

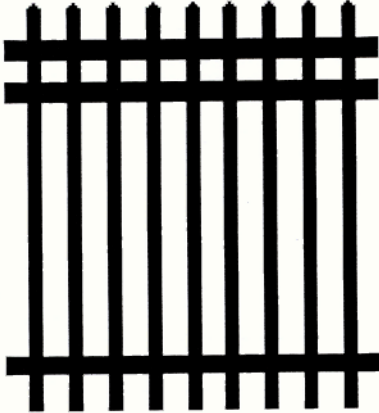
(HB) High-Gloss Black	(WH) White	(SB) Semi-Gloss Black
(GR) Green	(BR) Brown	(FG) Forest Green
(SP) Special		

Iron Eagle II – 3/4" x 1 1/2" pickets, 1 1/2" x 2 1/2" rails. Picket top available in Arrow, Maple Leaf or Fleur de Lis (**brackets are extra**)

Industrial Two Rail system – Elegant Eagle II, Imperial Eagle II, Majestic Eagle II, Royal Eagle II







 <p style="text-align: center;">Royal Eagle II</p>	Description	Price each
	8' section x 48" high	310.84
	8' section x 60" high	360.33
	8' section x 72" high	407.79
	3 1/2' gate x 48" high	377.45
	5' gate x 48" high	450.14
	3 1/2' gate x 60" high	410.18
	5' gate x 60" high	494.46
	3 1/2' gate x 72" high	441.95
5' gate x 72" high	537.31	

Industrial Three Rail system – Canadian Eagle II, Royal Elegant II, Silver Eagle II, Golden Eagle II, Majestic Elegant II

 <p style="text-align: center;">Golden Eagle II</p>	Description	Price each
	8' section x 48" high	355.69
	8' section x 60" high	405.18
	8' section x 72" high	452.63
	3 1/2' gate x 48" high	454.03
	5' gate x 48" high	537.22
	3 1/2' gate x 60" high	486.77
	5' gate x 60" high	581.54
	3 1/2' gate x 72" high	518.53
5' gate x 72" high	624.39	

Posts – 14 ga.	Description	Price each
	3" square x 7' with pyramid cap	79.91
	3" square x 8' with pyramid cap	90.50
	3" square x 9' with pyramid cap	101.09

Iron Eagle II Industrial Fittings

Description	Price	Description	Price
3" x 3" Line Bracket 	11.93	Universal Swivel Bracket 	14.16
Universal Bracket End-Line – c/w nut and bolt 		Corner Elevations 3" x 3" Corner Elevations 4" x 4" Corner Elevations 6" x 6"	6.53 10.74 15.59
3" x 3" Aluminum Pyramid Cap 	5.82	3" x 3" Brace Band 4" x 4" Brace band 6" x 6" Brace Band 	3.22 9.70 16.63
		3" x 3" Tension Band 4" x 4" Tension Band 6" x 6" Tension Band 	3.12 8.71 15.64

Colours:

(HB) High-Gloss Black (WH) White (SB) Semi-Gloss Black
 (GR) Green (BR) Brown (FG) Forest Green
 (SP) Special